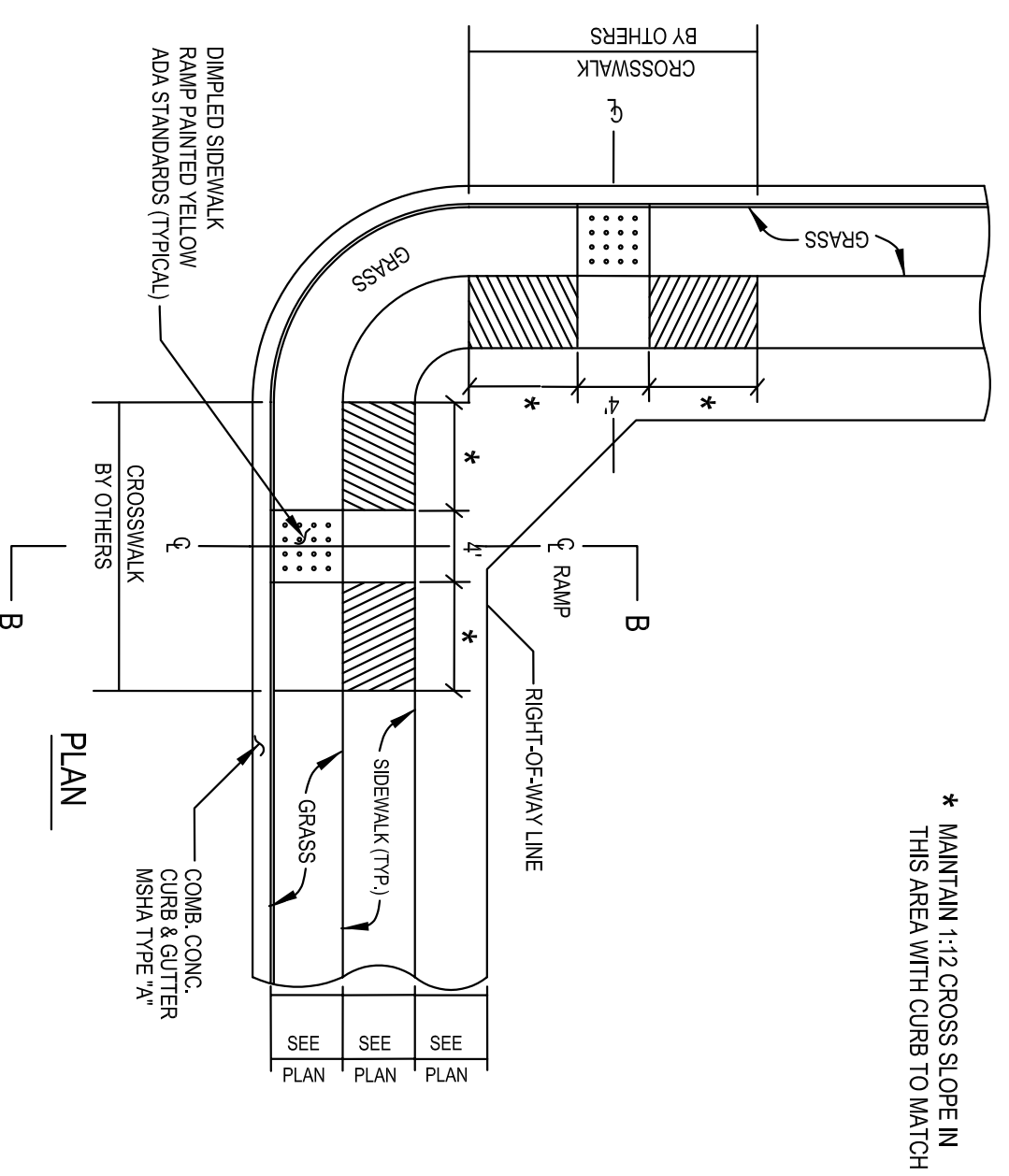
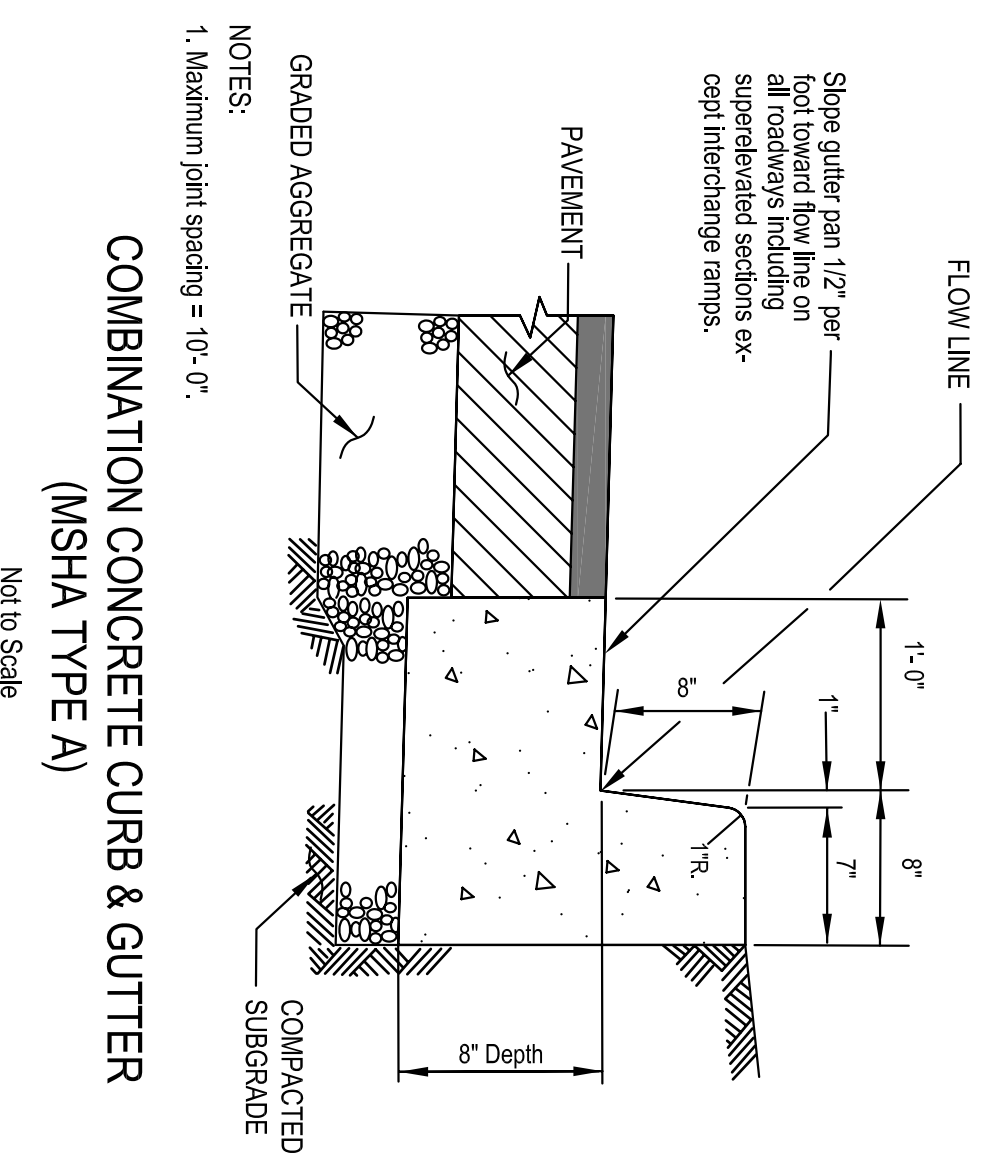


PAVEMENT SECTIONS
Not to Scale

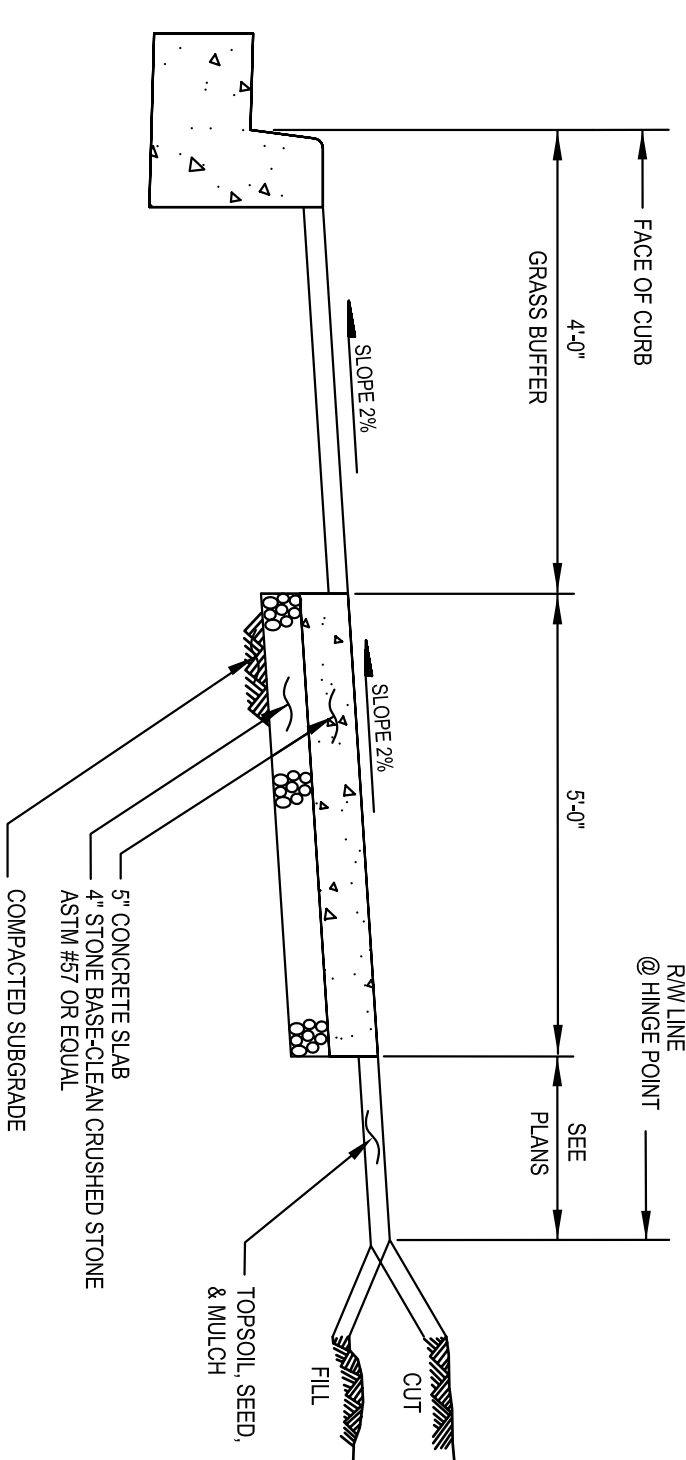


HANDICAP RAMPS
Not to Scale

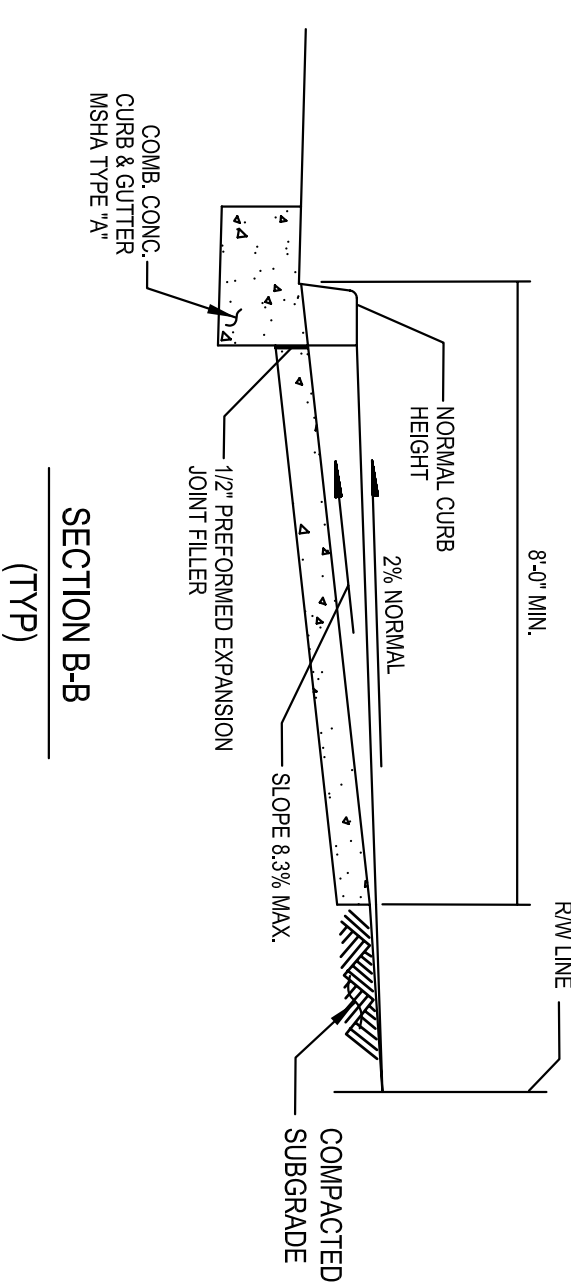
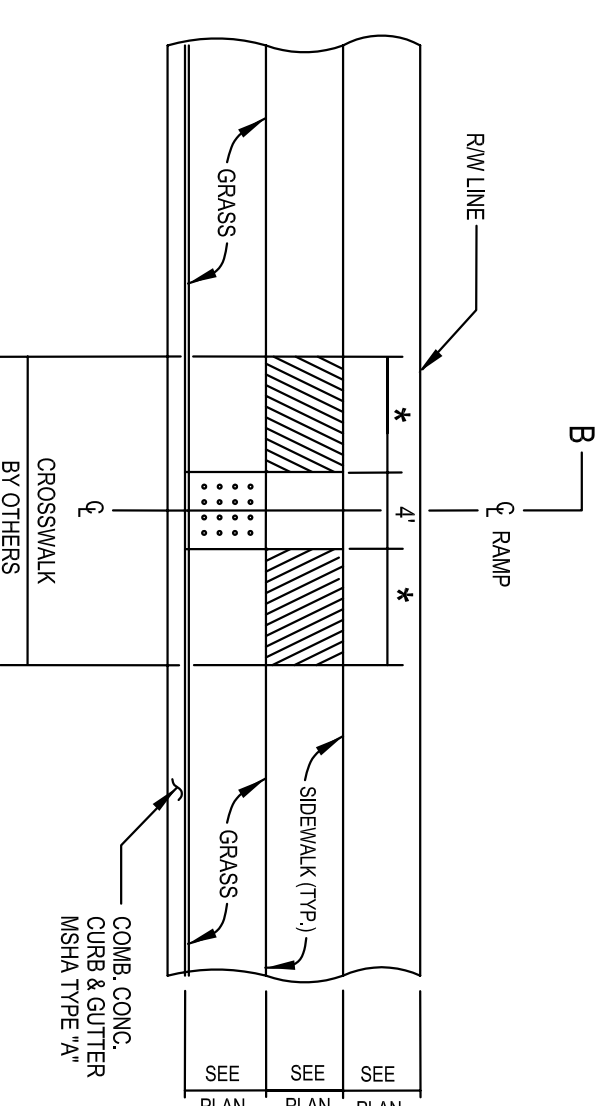
NOTES
1. SURFACE TEXTURE OF CONCRETE RAMPS SHALL BE COARSE BROOMING OR OTHER NONSKID TYPE FINISH.
2. CONTRACTOR IS RESPONSIBLE FOR ENSURING THAT SIDEWALK RAMP USES CONFORM TO CURRENT AMERICAN DISABILITIES ACT MANUAL ON ACCESS GUIDELINES FOR BUILDING AND FACILITIES.



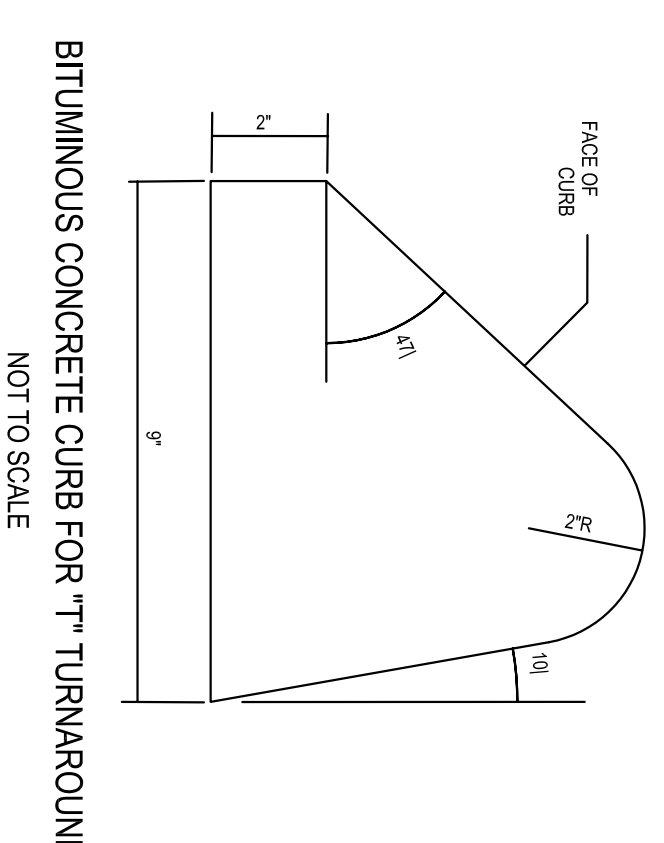
COMBINATION CONCRETE CURB & GUTTER (MSHA TYPE A)
Not to Scale



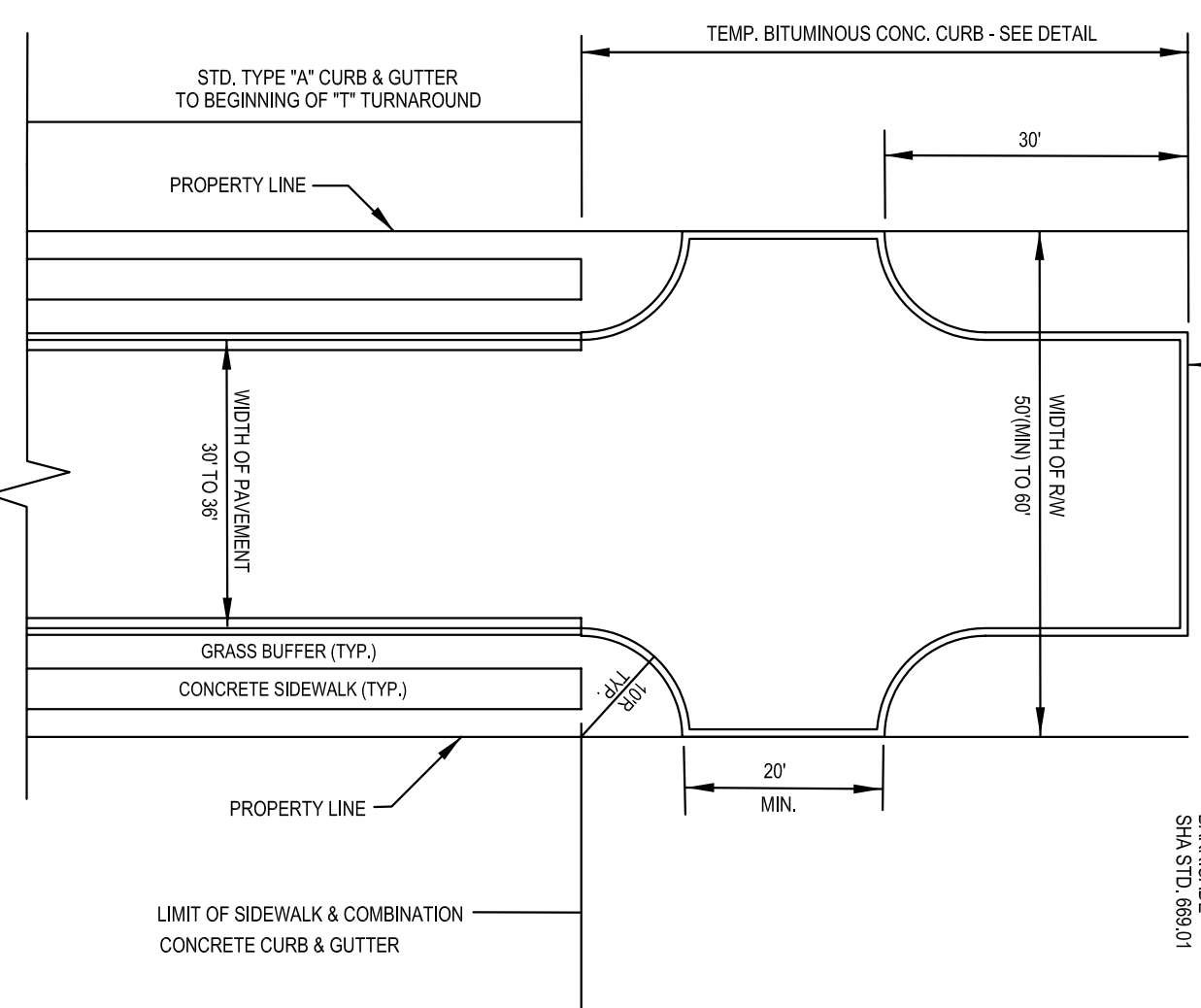
5" CONCRETE SIDEWALK
Not to Scale



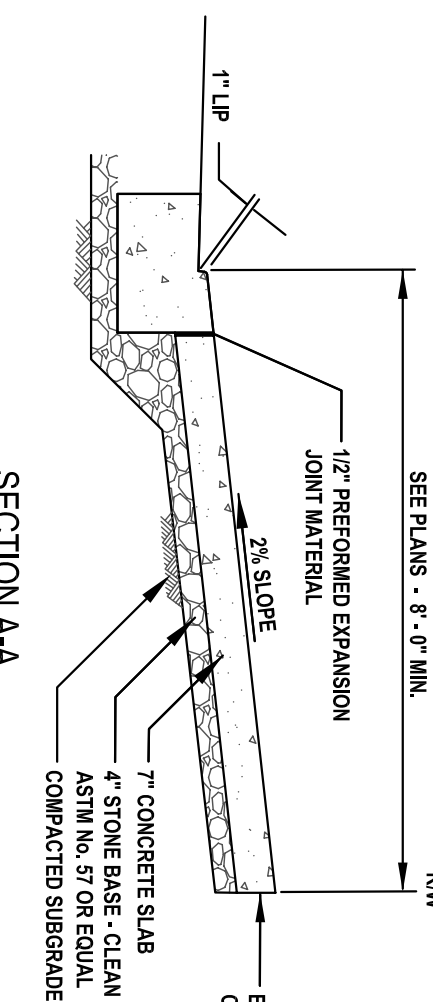
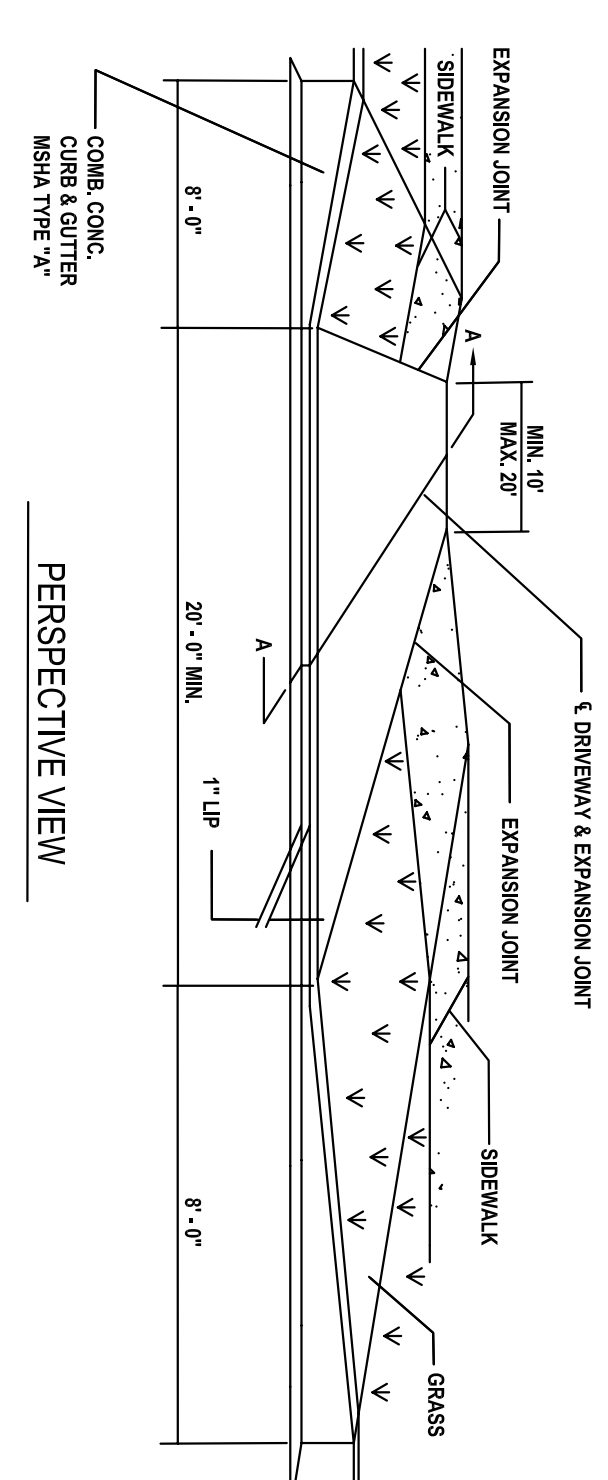
SECTION B-B (TYP)



BITUMINOUS CONCRETE CURB FOR T-TURNAROUND
NOT TO SCALE



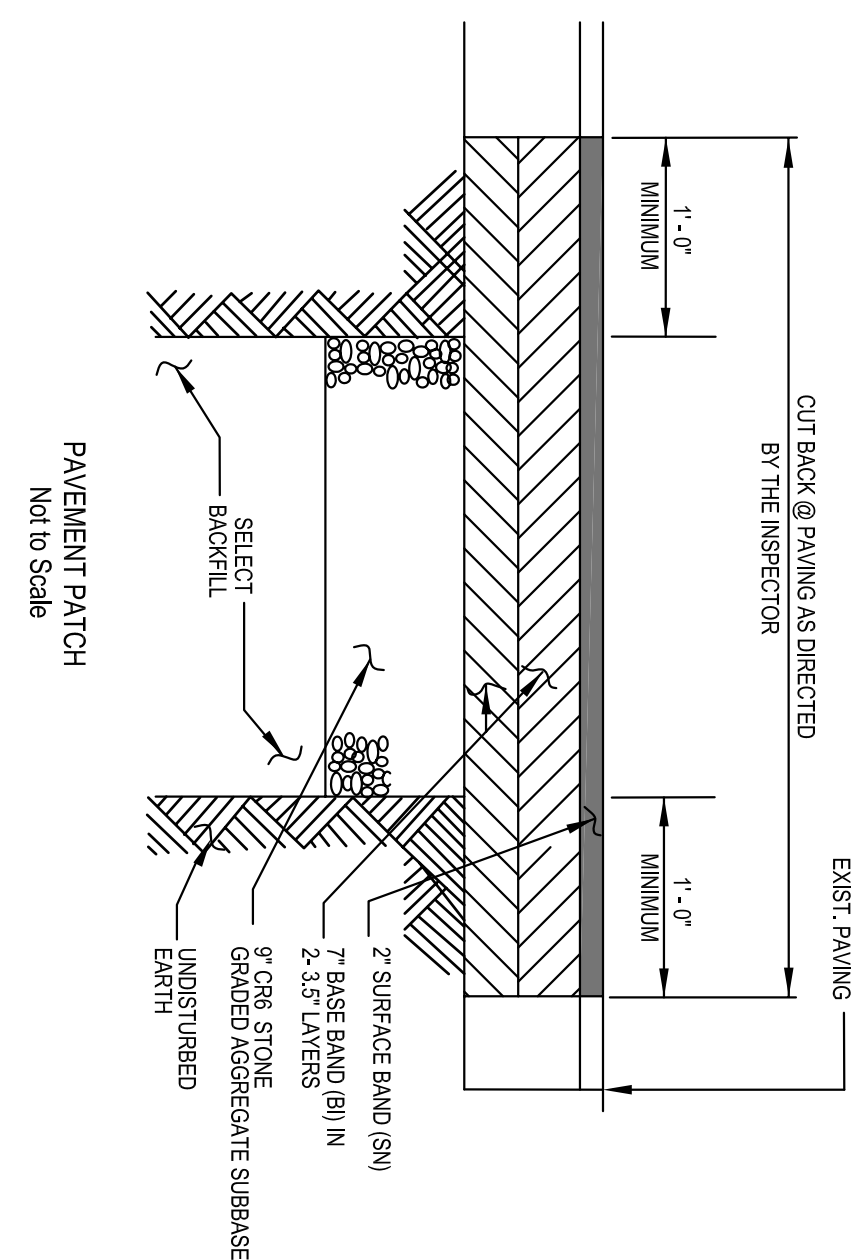
TEMPORARY TYPE "T" TURNAROUND
Not to Scale



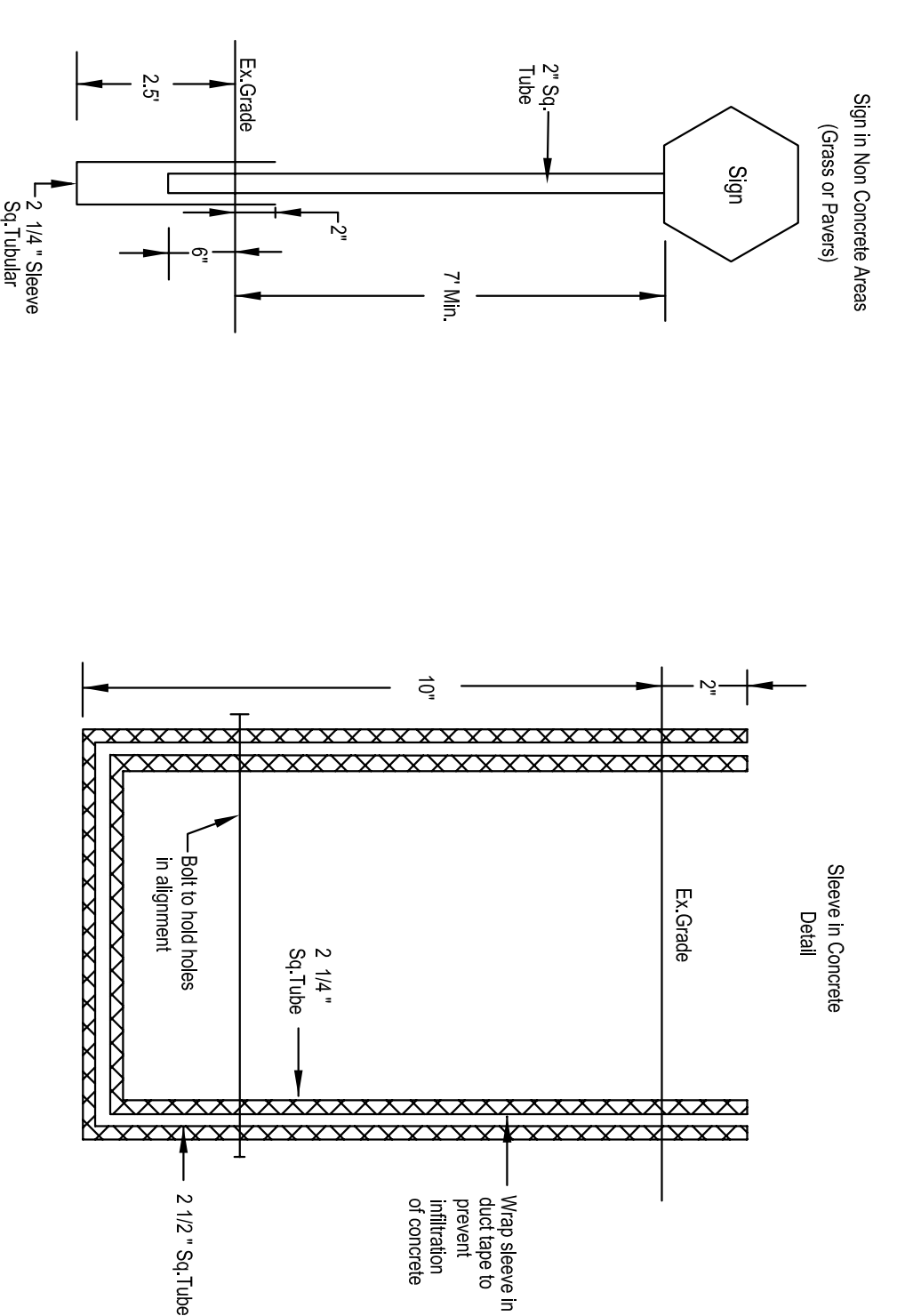
RESIDENTIAL CONCRETE DRIVEWAY APRON
Not to Scale

GENERAL CONSTRUCTION NOTES

1. All concrete construction shown on these standard details shall use 3000 P.S.I., S4A Mix No. 2 concrete unless otherwise specified on the drawings.
2. All concrete surfaces shall be underlain with a minimum 6" clean crushed stone base.



Road Sign Detail
Not to Scale

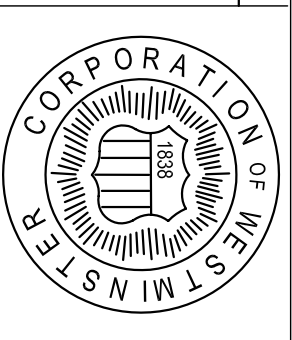


STANDARD ROADWAY CONSTRUCTION DETAILS

ENGINEER	
208	REVISED RESIDENTIAL CONCRETE DRIVEWAY APRON DETAIL
505	REVISED PAVING DETAILS ADDED SYMBOLOLOGY
397	HANDICAP RAMP DETAIL
DATE	REVISION

CITY PROJECT NO.	ROADS
	BLU
	BPS
	SEWER
	JWM
	WATER

CITY OF WESTMINSTER	DIRECTOR OF PLANNING AND PUBLIC WORKS
	DATE
	DATE
	DATE
	DATE



CITY OF WESTMINSTER	
---------------------	--

SHEET:	OF:
DATE:	
SCALE:	N/A
DATE:	
SCALE:	N/A
DATE:	
SCALE:	N/A